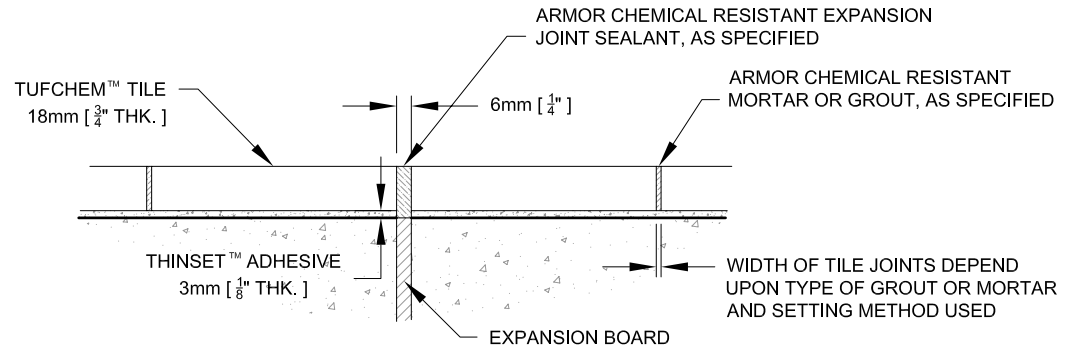


PLAN VIEW



SECTION VIEW

NOTE :

EVERY ATTEMPT SHALL BE MADE TO ENSURE THE LOCATION OF THE EXPANSION JOINTS COINCIDE WITH HIGH POINT ELEVATIONS WITHIN THE DRAINAGE BAYS. RECTANGULAR TILE SHALL BE USED TO DELINEATE HIGH POINT ELEVATIONS OF DRAINAGE BAYS.

This drawing, including the principle of design, is the property of Armor and is submitted with the understanding that it will not be used for any purpose except that specified in writing by Armor. While all statements, technical information, and recommendations contained herein are based on information our company believes to be reliable, nothing contained herein shall constitute any warranty, express or implied, with respect to the products and/or services described herein and any such warranties are expressly disclaimed. We recommend that the prospective purchaser or user independently determine the suitability of our product(s) for their intended use. No statement, information or recommendation with respect to our products, whether contained herein or otherwise communicated, shall be legally binding upon us unless expressly set forth in a written agreement between us and the purchaser/user.

CED-607 12/25

**TUFCEM™ TILING SYSTEM
EXPANSION JOINT DETAIL**

NO SCALE
DRAWN BY: SAB
COPYRIGHT: ARMOR

